

COMMON DC BUS  
 VRANGE: 350-450Vdc  
 ISC: 30kA  
 IMAX: 800A

SEE SHEET 1 G16

SEE SHEET 1 K2

SEE SHEET 2 K6

XC-2 CONTACTOR  
 XCT MAX: 5A<sub>acc</sub>  
 460Vdc  
 COIL MAX: 200mA<sub>acc</sub>(NRUSH)  
 250-500Vdc

XC-3 CONTACTOR  
 XCT MAX: 5A<sub>acc</sub>  
 460Vdc  
 COIL MAX: 200mA<sub>acc</sub>(NRUSH)  
 250-500Vdc

**ZBB energy corporation**  
 Confidential Property of  
 ZBB TECHNOLOGIES, INC.

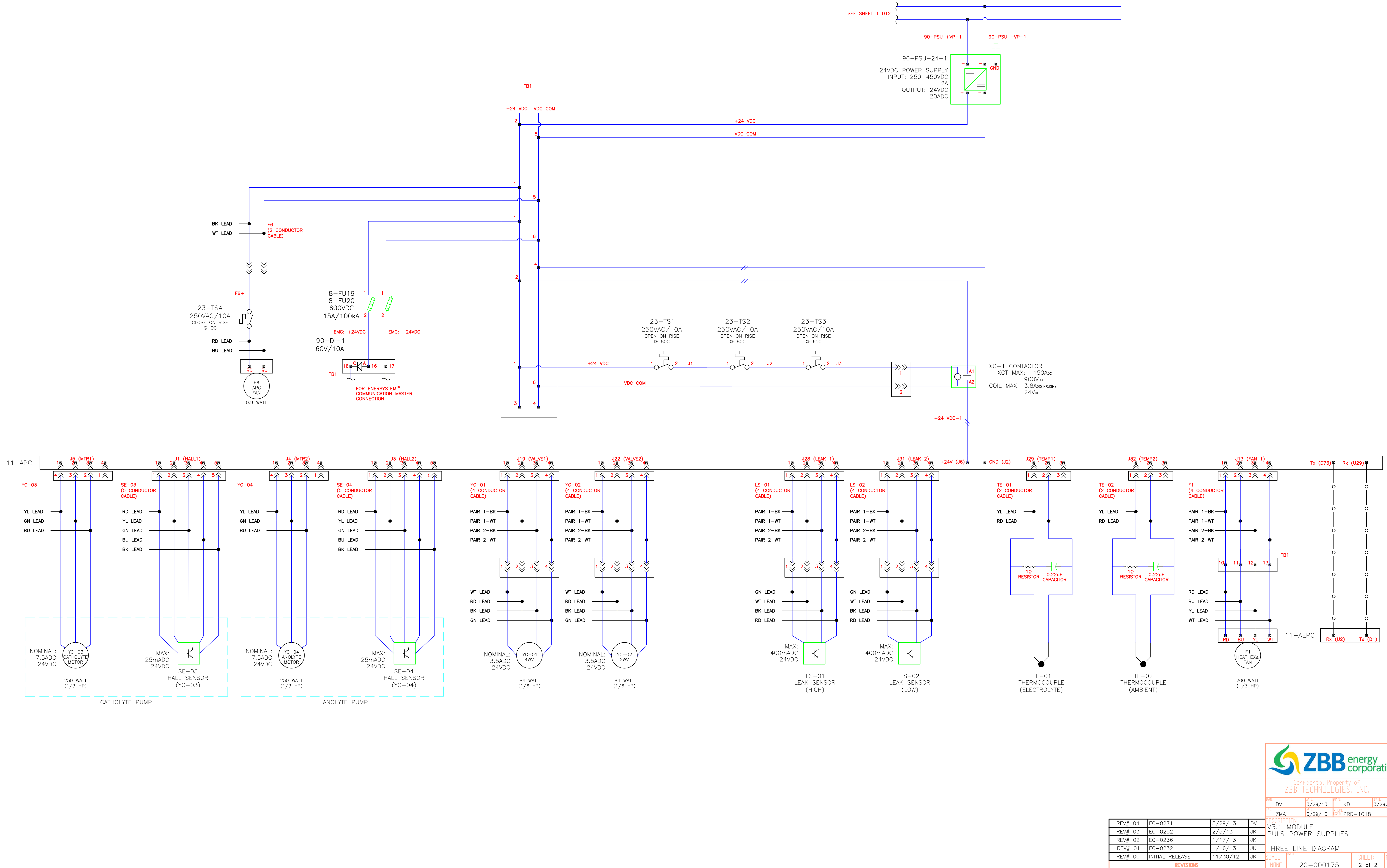
DATE	3/29/13	BY	KD	DATE	3/29/13
DESIGNER	ZMA	CHECKER	PRD	DATE	3/29/13

DESCRIPTION  
 V3.1 MODULE  
 PULS POWER SUPPLIES  
 THREE LINE DIAGRAM

REV#	04	EC-0271	3/29/13	DV
REV#	03	EC-0252	2/5/13	JK
REV#	02	EC-0236	1/17/13	JK
REV#	01	EC-0232	1/16/13	JK
REV#	00	INITIAL RELEASE	11/30/12	JK

SCALE: NONE  
 SHEET: 1 of 2  
 REV: 04

REV#	DESCRIPTION	DATE	BY
04	EC-0271	3/29/13	DV
03	EC-0252	2/5/13	JK
02	EC-0236	1/17/13	JK
01	EC-0232	1/16/13	JK
00	INITIAL RELEASE	11/30/12	JK



**ZBB energy corporation**

Confidential Property of  
ZBB TECHNOLOGIES, INC.

REV#	DATE	BY	CHKD	DATE
04	3/29/13	DV	KD	3/29/13
03	2/5/13	JK		
02	1/17/13	JK		
01	1/16/13	JK		
00	11/30/12	JK		

DESCRIPTION  
V3.1 MODULE  
PULS POWER SUPPLIES  
THREE LINE DIAGRAM

SCALE:	20-000175
SHEET:	2 of 2
REV:	04

REV#	DATE	BY	CHKD	DATE
04	3/29/13	DV	KD	3/29/13
03	2/5/13	JK		
02	1/17/13	JK		
01	1/16/13	JK		
00	11/30/12	JK		